

Overview

ARCHER RGB 6000 is a high-performance, low-cost full color laser projector, its light weight & high cost-performance ratio make it a perfect solution for small mobile shows and venues like clubs & bars.



Specifications

Light source

Red :	1400 mw@638nm
Green :	2000 mW@520nm
Blue :	3500 mW@450nm

Beam Profile

Beam Diameter (Projector Window) :	5mm
Divergence (Full angle) :	~ 1.2mrad
Modulation :	Analog 50KHZ
Laser Class :	Class IV

Scanner

Galvo :	40kpps @ 8° ILDA test pattern
Scan Angle :	60° Max

Interfaces & Controls

Control :	ILDA in (Differential), ILDA out
Safety :	Key Switch
Remote Interlock :	5 pins XLR

Optional Components

Embedded Controller :	Moncha.lite 2 or Pangolin FB4 (upon request)
-----------------------	--

Thermal Control

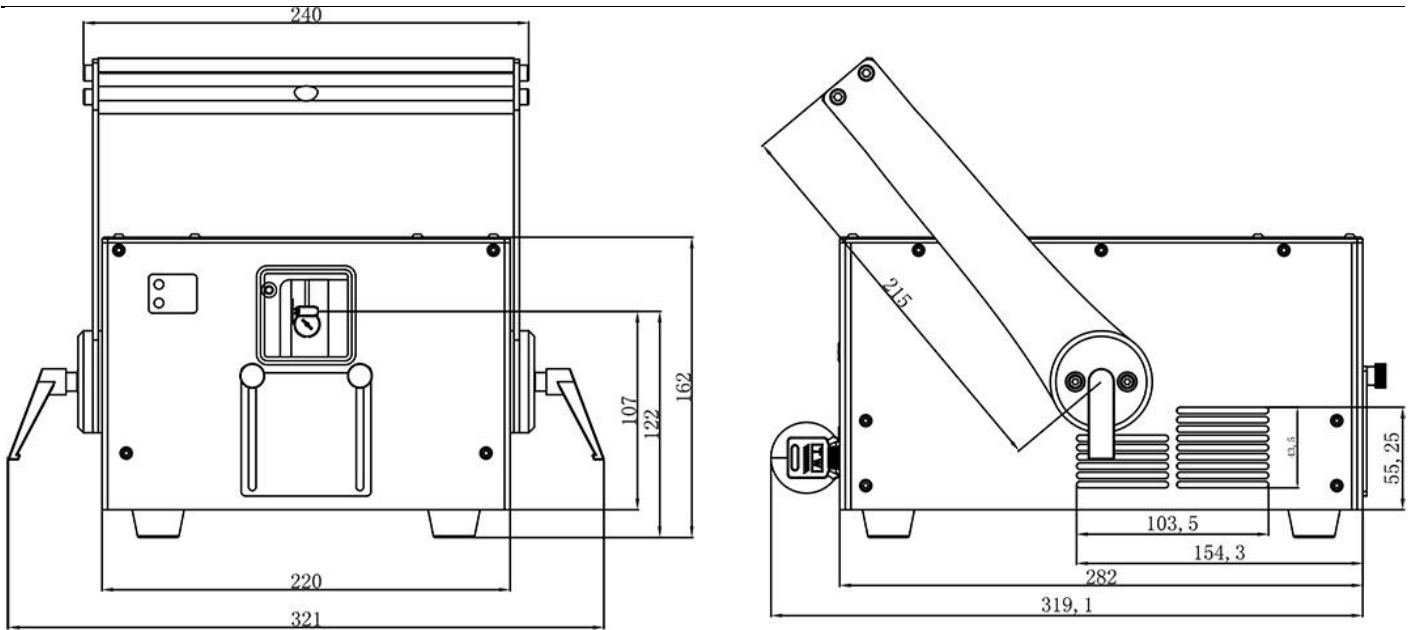
Cooling :	Active Cooling/heating by TEC Peltier Elements
Ventilation :	50mm thermal-controlled fan * 2

Electric

Operating Voltage :	AC 110V-240V
Power Consumption :	350W Max

Physical

L* W * H :	319mm* 240mm* 162mm (Without Yoke)
Weight :	8.3kg (Without Yoke)
Housing Materials :	Black Anodized Aluminum
IP grade :	IP52
Packaging :	Carton package



Compliance

Compliance FDA/CDRH, CE

Warranty

Warranty 24 months parts and labor

* The above specifications subject to change without prior notice