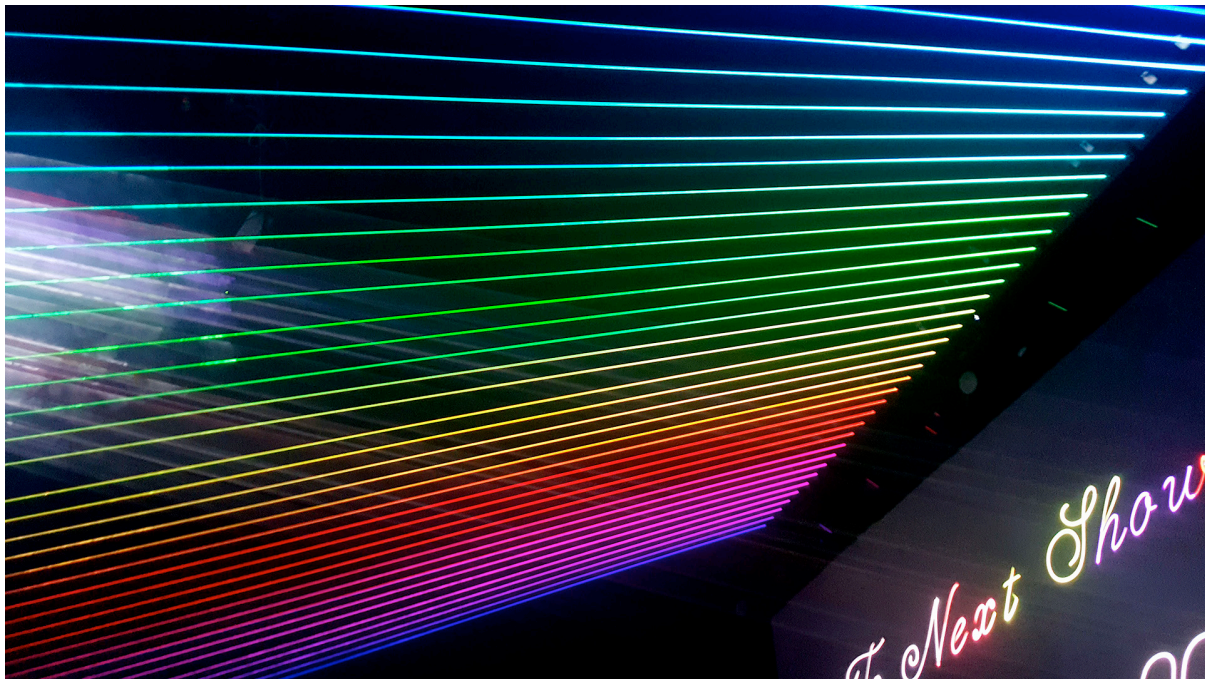
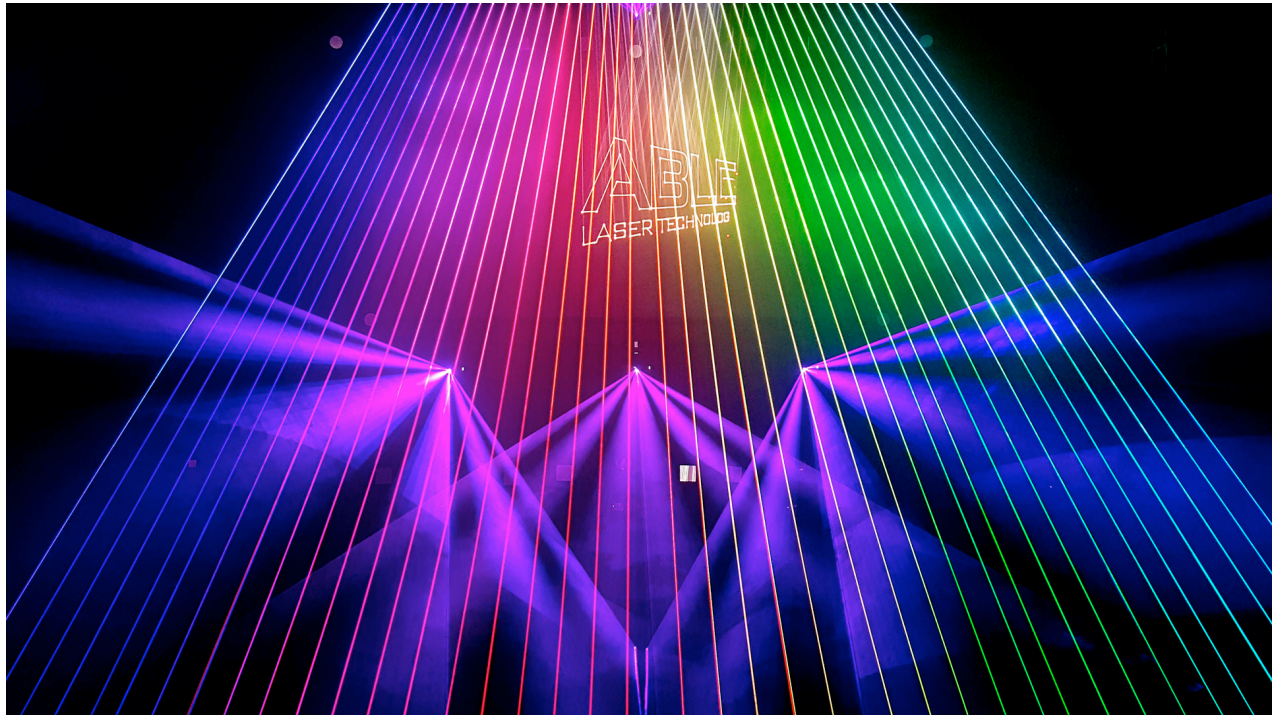


Overview

BARRAGE RGB 1500 is a full-color laser beam array. It has 5 individual high power, full color beam outputs with very low divergence.

BARRAGE 1500 allows laser designer to create many forms of stunning visual impacts aside from classical laser shows!





Rear 45°



Back LCD

Specifications

Light Source

Red :	110-120 mW @ 637nm	Single Mode Direct-Inject diodes
Green :	90-100 mW @ 520nm	Single Mode Direct-Inject diodes
Blue :	90-100 mW @ 445nm	Single Mode Direct-Inject diodes

Total Output @ beam window: 280mW ~ 310mW (each beam)

PRODUCT INFORMATION

BARRAGE RGB 1500



Beam Diameter (Aperture Window): < 4.5 mm

Divergence (Full angle): < 0.35 mrad (Full angle)

Laser Class : Class IV

Interfaces & Controls

Control : DMX In (3-pin), DMX Out (3-pin)

Safety : Interlock 3-pin XLR

Mains : Neutrik PowerCon® for power in and out

Thermal Control

Cooling : TEC Peltier Elements

Ventilation : 60mm Low noise fan * 4

Electric

Operating Voltage : AC 110V-240V

Power Consumption: 120W Max

Physical

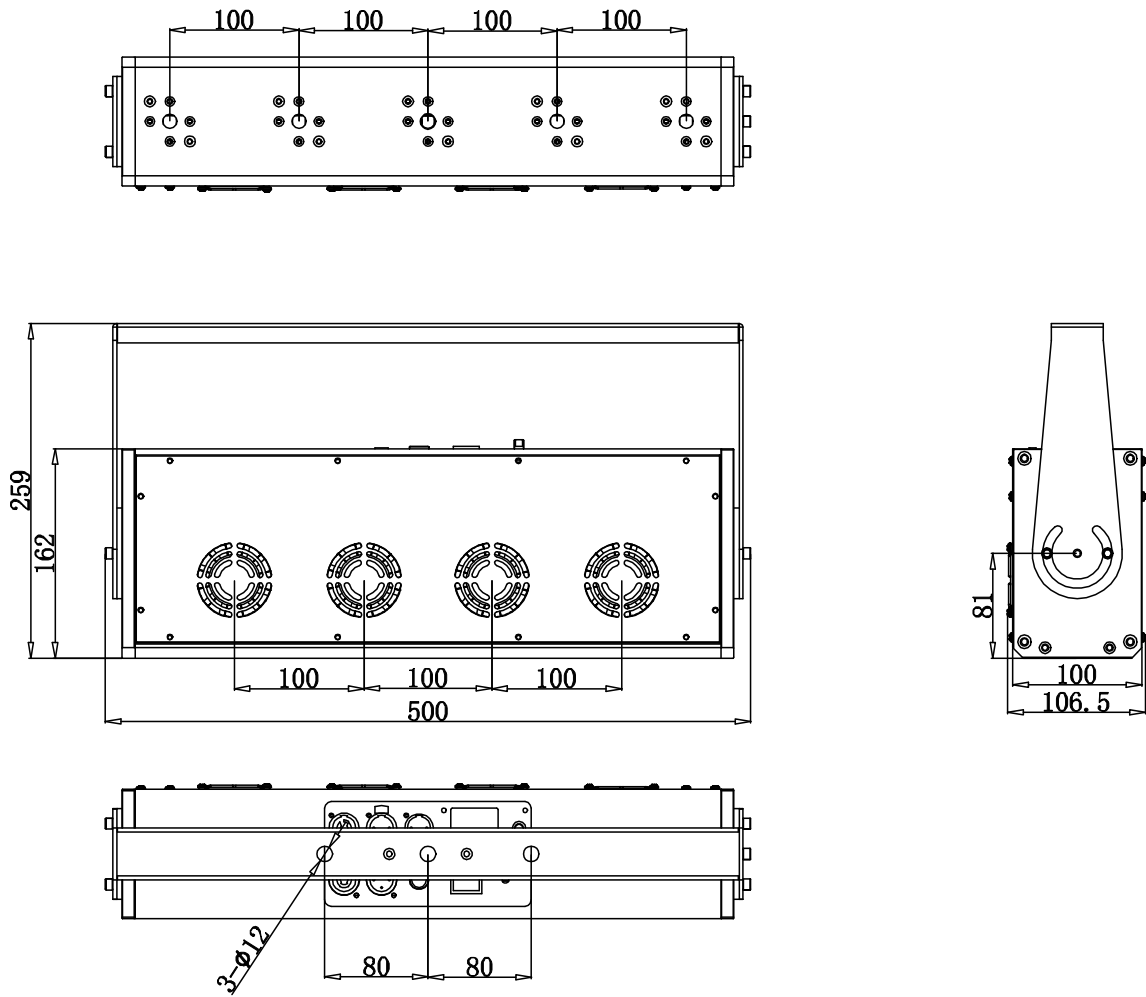
L * W * H : 500mm * 106.5mm * 162mm (Without Yoke)

Weight : 8.5 kg

Housing Materials : Black Anodized Aluminum

IP grade : IP47

Packaging : Flight case



Compliance

Compliance FDA/CDRH, CE, RoHS

Warranty

Warranty 12 months after delivery

* The above specifications subject to change without prior notice