

Overview

FB4 NODE re-integrates the FB4 circuit and all connection interfaces into a compact unit, allowing easy handling and convenient operation of this most popular laser controller of the day.

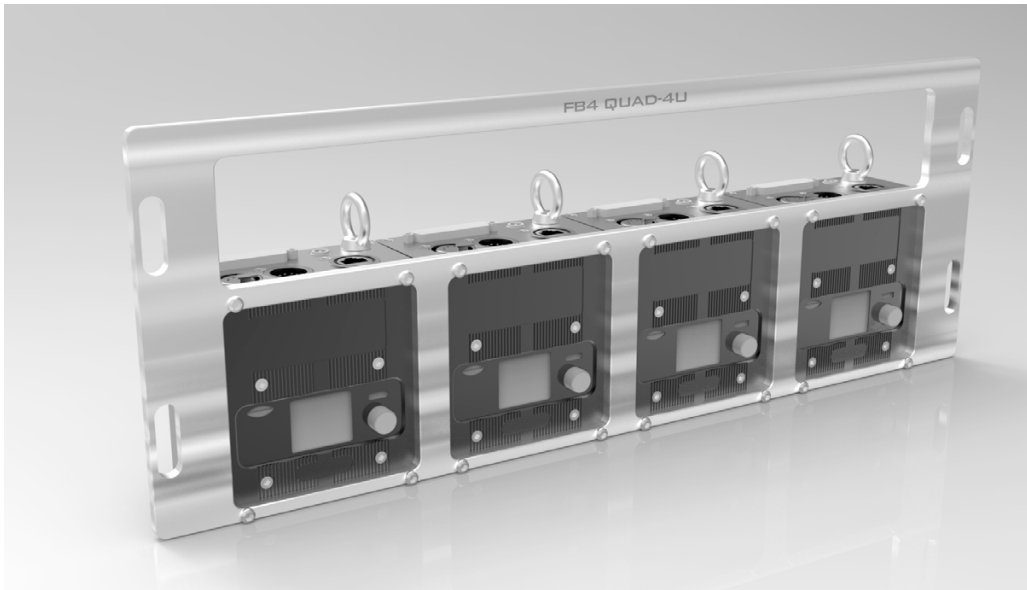


All interfaces located on top panel allowing convenient operation and cable routing, also possible for rigging on the truss.

Interfaces

| | |
|----------------|------------------|
| ILDA out | DB-25 pins |
| Ethernet | Neutrik Ethercon |
| DMX in and out | XLR 5-pins |

Optional Parts



QUAD-4U Rack Mount Panel

Electric

Hi-Quality Power AC-DC Adapter

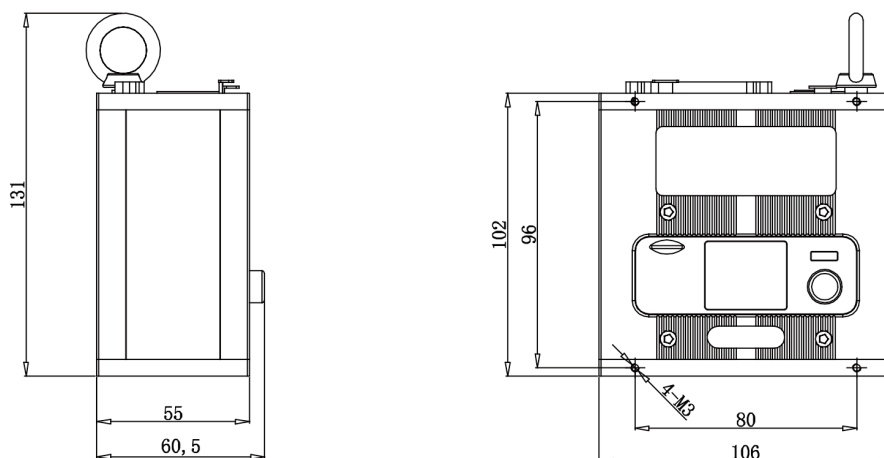
12V DC (Served in the package)

Physical

L * W * H : 106mm * 60.5mm * 102mm (Without Safety hook)

Housing Materials : Anodized Aluminum

Packaging : Flight case



* The above specifications subject to change without prior notice