

Overview

TRIUMPH **RGB** 15000 is an extremely powerful full-color laser projector designed for large-scale shows and installations. Combining modern Direct – Inject diodes technology and DPSS technology, TRIUMPH RGB 15000 delivers very sharp beam with outstandingly brilliant spectrum!



Front Panel



Rear Panel



Front 45°



Rear 45°

Specifications

Light Source

Red : 4080 mW @ 637nm Single Mode Direct - Inject diodes

Green : 5000-5500 mW @ 532nm DPSS

Blue : 6000-8000 mW @ 445nm Multi-Mode Direct - Inject diodes

Total Output 14000 mW - 15500 mW

Beam Diameter : **Red:** 4mm*4 mm; **Green:** 3mm*3mm; **Blue:** 4.5mm*3.5mm

Divergence albe : 1.0 mrad (Full angle)

Modulation : Analog 50KHZ

Laser Class : Class IV

Scanner

Galvo : 40K (EMS 8000 60K upon request)

Scan Angle : 60° Max

Interfaces & Controls

Control : ILDA in (Differential) , ILDA out

Safety : Key Switch , FDA Scan-safe Switch

Remote Interlock : 3 pins XLR

Scan Image Invert : Invert – X , Invert – Y

Color adjustment : Intensity R, G, B (0-100%)

Mains : Neutrik PowerCon®

Optional Components

Controller : Moncha.net (upon request)

Window Protection : Slide-type window Cover / Hardware mask (upon request)

Thermal Control

Cooling : TEC Peltier Elements

Electric

Operating Voltage : AC 110V-240V

Power Consumption: 550W Max

Physical

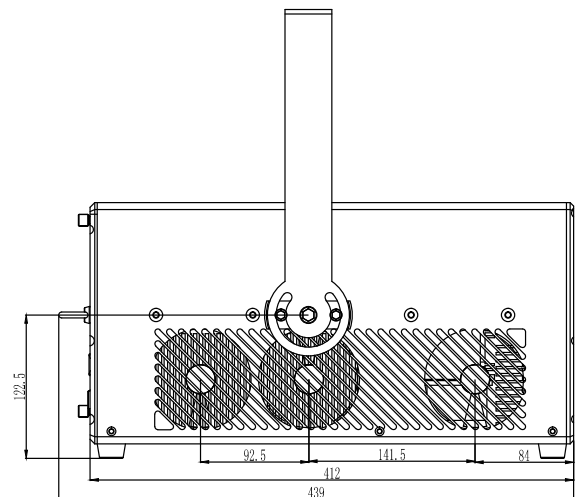
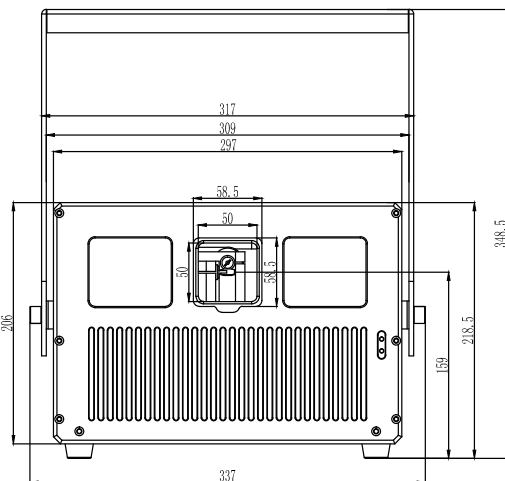
L * W * H : 412mm * 297mm * 206mm (Without Yoke, Without feet)

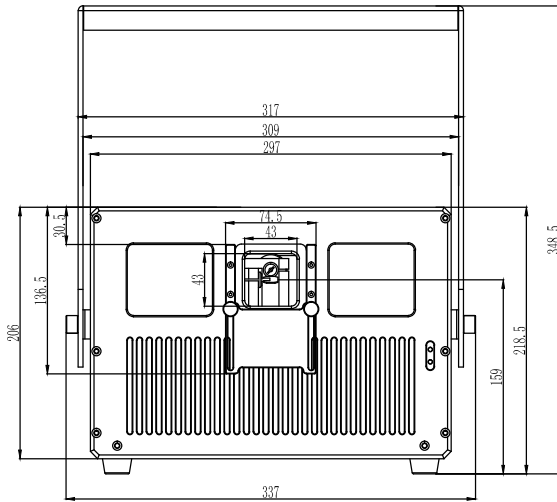
Weight : 24 kg (Without Yoke)

Housing Materials : Black Anodized Aluminum

IP grade : IP54

Packaging : Flight case





Slide Window Cover Version



Sitting in flight Case

Compliance

Compliance FDA/CDRH, CE, RoHS

Warranty

Warranty 12 months after delivery

*The above specifications subject to change without prior notice