

## Overview

AURORA G 8000 - 15000 is a series of extremely powerful single-color laser projectors with power from 8000 mW to 15000 mW. You will never worry about lacking of power for any of your events!



Front Panel



Rear Panel

## Specifications

### Light Source

AURORA 8000 : 8000 - 8500 mW @ 532nm DPSS

AURORA 10000 : 10000 - 11000 mW @ 532nm DPSS

AURORA 15000 : 15000 - 17000 mW @ 532nm DPSS

AURORA 20000 : 20000 - 22000 mW @ 532nm DPSS

Beam Diameter : 5mm  
Divergence (Full angle): 1.1-1.2 mrad (Full angle)  
Modulation : Analog 30KHZ  
Laser Class : Class IV

### Scanner

Galvo : 40K (EMS 8000 60K upon request)  
Scan Angle : 60° Max

### Interfaces & Controls

Control : ILDA in (Differential) , ILDA out  
Safety : Key Switch , FDA Scan-safe Switch  
Remote Interlock : 3 pins XLR  
Scan Image Invert : Invert – X , Invert – Y  
Mains : Neutrik PowerCon®

### Optional Components

Controller: Moncha.net (upon request)  
Pangolin FB4 (upon request)  
Window Protection : Slide-type window Cover / Hardware mask (upon request)

### Thermal Control

Ventilation : 60mm Low noise fan \* 4

### Electric

Operating Voltage : AC 110V-240V  
Power Consumption: 500W Max

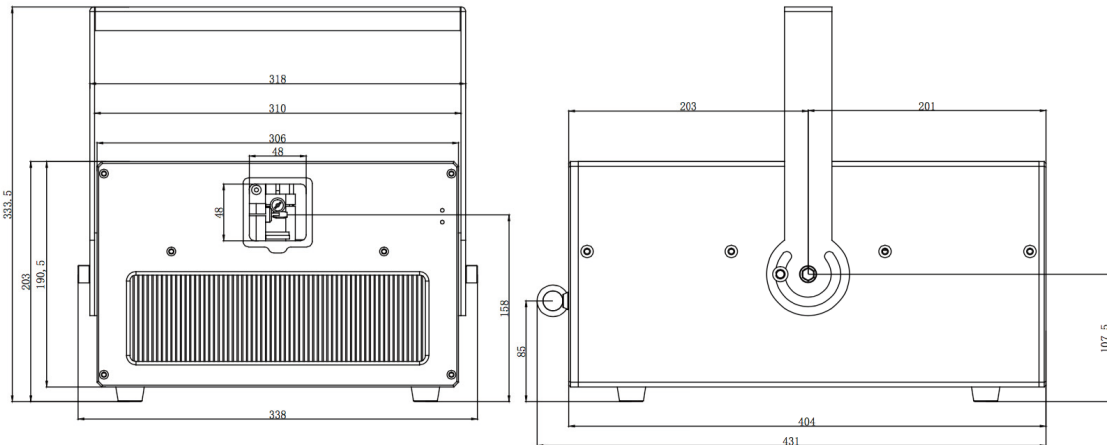
### Physical

# PRODUCT INFORMATION

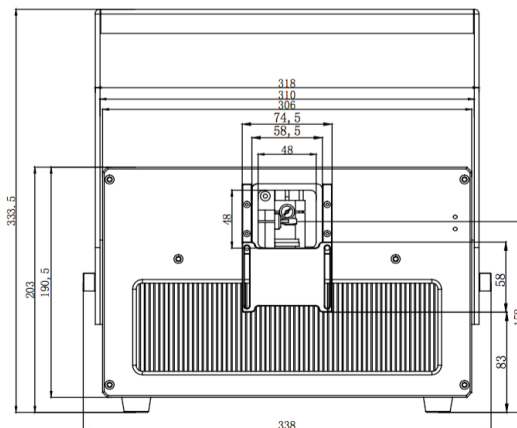
## AURORA G 8000 - 20000

**ABLE**  
LASER TECHNOLOGY

|                     |  |
|---------------------|--|
| L * W * H :         | 430mm * 338mm * 191mm (Without Yoke, Without feet) |
| Weight :            | 21 kg (Without Yoke)                               |
| Housing Materials : | Black Anodized Aluminum                            |
| IP grade :          | IP54   |
| Packaging :         | Flight case  |



Slide Window Cover Version



### Compliance

Compliance FDA/CDRH, CE, RoHS

### Warranty

Warranty 12 months after delivery

\*The above specifications subject to change without prior notice