

Overview

PRIME RGB 36000 is a full-color laser projector, which could meet your requirement for Mega-scale outdoor laser shows and installations.



Front Panel



Rear Panel



Front 45°



Rear 45°

Specifications

Spec Power @ Light source

	<u>PRIME RGB 30000</u>	<u>PRIME RGB 36000</u>
R	8880 mw@637nm	8880 mw@637nm
G	10000 mW@520nm	12000 mW@520nm
B	13000 mW@450nm	16000 mW@450nm

Beam Profile

Beam Diameter (Projector Window) :	~ 8mm
Divergence (Full angle) :	~ 1.1mrad
Modulation :	Analog 50KHZ
Laser Class :	Class IV

Scanner

Galvo :	EMS9000 30kpps @ 8° ILDA test pattern
Scan Angle :	54° Max

Interfaces & Controls

Control :	ILDA in (Differential), ILDA out
Safety :	Key Switch, FDA Scan-safe Switch
Remote Interlock :	5 pins XLR
Scan Image Invert :	Invert-X, Invert-Y, Rotate 90°
Color adjustment :	Intensity R, G, B (0-100%)
Mains :	Neutrik PowerCon® TRUE ONE TOP

Optional Components

Embedded Controller :	Pangolin FB4 (upon request)
-----------------------	-----------------------------

Thermal Control

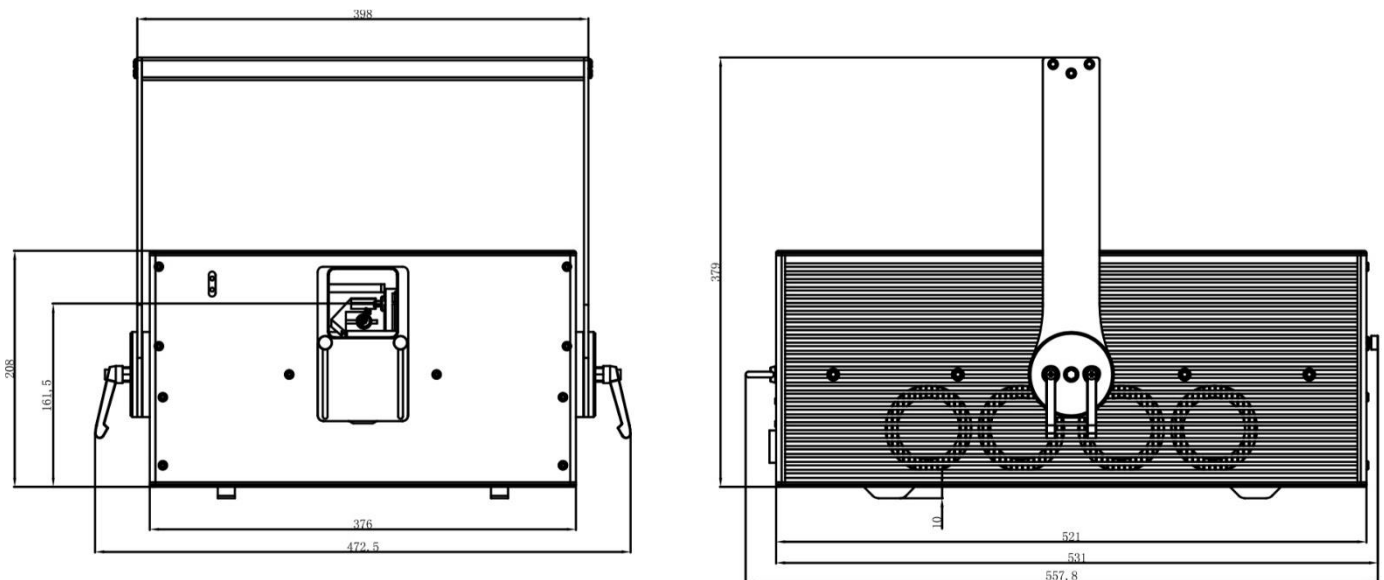
Cooling :	Active Cooling/heating by TEC Peltier Elements
Ventilation :	80mm Low noise fan * 4

Electric

Operating Voltage :	AC 110V-240V
Power Consumption :	850W Max

Physical

L* W * H :	531mm* 376mm* 208mm (Without Yoke)
Weight :	41kg (Without Yoke)
Housing Materials :	Black Anodized Aluminum
IP grade :	IP52
Packaging :	Flight case



Compliance

Compliance	FDA/CDRH, CE
------------	--------------

Warranty

Warranty 24 months parts and labor

* The above specifications subject to change without prior notice