

Overview

TRIUMPH RGB 20000 is designed for outdoor environments, featuring a housing that meets IP65 standards, which ensures it is completely waterproof and dustproof. Encased in our robust IP65-rated housing, the TRIUMPH series are designed to stand strong against rain, snow, dust, and everything in between. Whether you're making outdoor shows or simply dealing with unpredictable weather, the TRIUMPH series has got your back.



Front



Rear



Front 45°



Rear 45°

Specifications

Spec Power @ Light source

| | <u>TRIUMPH RGB 20000</u> |
|----|--------------------------|
| R: | 6000 mw@638nm |
| G: | 6000 mW@529nm |
| B: | 8000 mW@450nm |

Beam Profile

| | <u>TRIUMPH RGB 20000</u> |
|------------------------------------|--------------------------|
| Beam Diameter (Projector Window) : | 6.0mm * 6.5mm |
| Divergence (Full angle) : | ~ 1.3mrad |
| Modulation : | Analog 50KHZ |
| Laser Class : | Class IV |

Scanner

| | |
|--------------|-------------------------------|
| Galvo : | 35kpps @ 8° ILDA test pattern |
| Scan Angle : | 60° Max |

Interfaces & Controls

| | |
|--------------------|--------------------------------------|
| Control : | ILDA in (Differential) |
| Safety : | Key Switch |
| Remote Interlock : | Pin 5 & pin 8 out from Ethercon RJ45 |
| Mains : | Neutrik PowerCon® TRUE1 TOP |

Optional Components

| | |
|-----------------------|--|
| Embedded Controller : | Pangolin FB4 (upon request) |
| Scanner : | EMS 8000 40Kpps digital scanner (54°Max Angle) |

Thermal Control

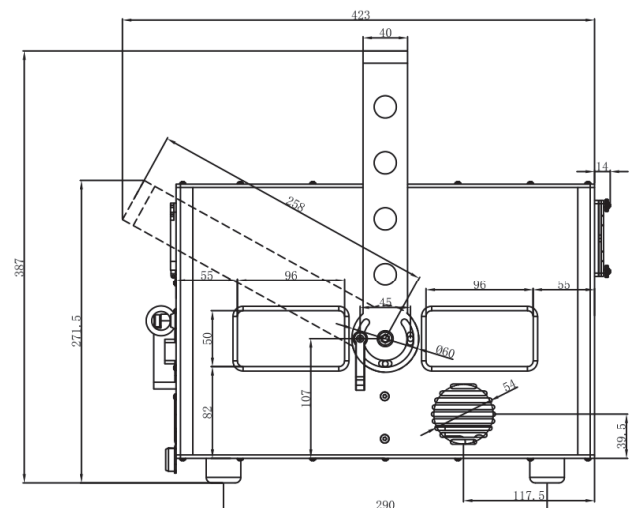
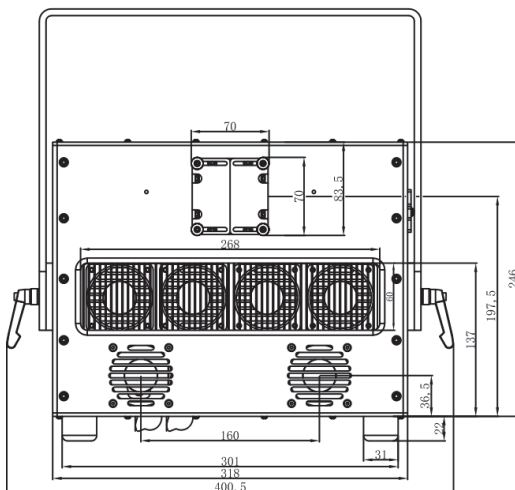
| | |
|---------------|--|
| Cooling : | Active Cooling/heating by TEC Peltier Elements |
| Ventilation : | 60mm IP68 thermal-controlled fan * 6 |

Electric

| | |
|---------------------|--------------|
| Operating Voltage : | AC 110V-240V |
| Power Consumption : | 700W Max |

Physical

| | |
|---------------------|---|
| L* W * H : | 418mm* 327mm* 265mm (Without Yoke & feet) |
| Weight : | 24.5kg (Without Yoke) |
| Housing Materials : | Black Anodized Aluminum |
| IP grade : | IP65 |
| Packaging : | Flight case / Safety case |



Compliance

| | |
|------------|--------------|
| Compliance | FDA/CDRH, CE |
|------------|--------------|

Warranty

Warranty 24 months parts and labor

* The above specifications subject to change without prior notice